



FDA CE SGS

Fujian Safetech Protection Co.,LTD

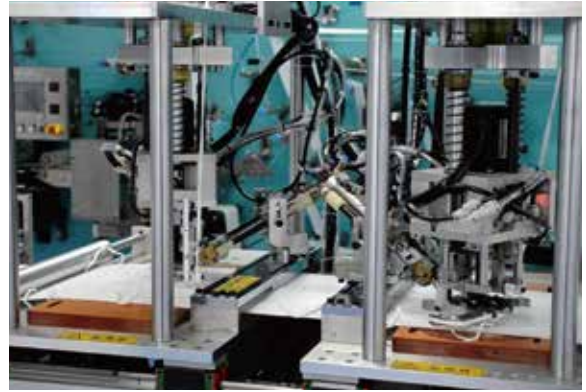
NAME LIST OF NON-MEDICAL USE FACE MASKS COMPANIES WITH
CERTIFICATION/AUTHORIZATION FROM OTHER COUNTRIES

FFP2 PROTECTIVE MASK

SOUNDPOND SAFETECH MANUFACTURING BASE



100,000 CLASS CLEAN WORKSHOP



TESTING CENTER





Located in China's southern-east coast, Fujian safetech protection Co.,LTD. has got our own large production facilities producing workwear, functional wear, rainwear, and uniforms.

Established in 2009, our company is a professional manufacturer engaged in the research, development, production, sales and service of medical instruments.

Our main products are disposable protective coverall , isolation gown, surgical gown, disposable shoes cover,safety glasses ,KN95 and so on.

Dedicated to strict quality control and thoughtful customer service, our experienced staff members are always available to discuss your requirements and ensure full customer satisfaction. In recent years, our company has introduced a series of advanced equipment.

In addition, we have attained FDA, CE and ISO9001 certificates. Selling well in all cities and provinces around China, our products are also exported to clients in such countries and regions as Africa, Europe and America.

We also welcome OEM and ODM orders.Whether selecting a current product from our catalog or seeking engineering assistance for your application, you can talk to our customer service center about your sourcing requirements.

PROTECTIVE MASK

GB2626-2019

FIVE-LAYER
THREE-DIMENSIONAL

CE 0598 FFP2 NR
EN 149:2001+A1:2009



MULTI-LAYERS PROTECTION



FIT-TO-FACE DESIGN



FOLDABLE



SOFT EARHOOK



TEMPERATURE RANGE OF STORING
-30° C TO +70° C



MAXIMUM RELATIVITY HUMIDITY OF STORING
80% AND MORE



DAMAGE DISABLED



2 YEARS (USABLE LIFE)



SEE INFORMATION SUPPLIED BY THE MANUFACTURER

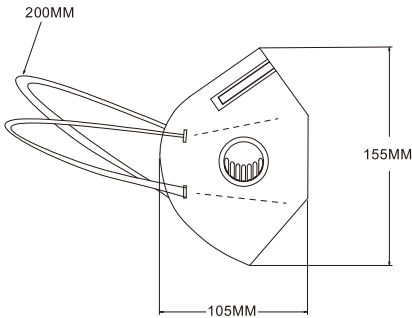
FILTRATION EFFICIENCY

≥ 95%

FFP2 PROTECTIVE MASK-WITH VALVE (EAR BAND WITH STAPLE)



Five-layers filter structure, high filtration efficiency, dust filter rate 95%, anti - particulate dust and pollen. Skin-friendly surface non-woven fabric has good water absorption function, the outer non-woven fabric has good water resistance and can continuously resist pollution. Inner nose clips KN95 protective masks are widely used in factories, electronic, instrumentation, food and outdoor places.



PRODUCT PARAMETERS			
Brand	Soundpond safetech	Color	○
Item number	SP-2020C	Layer	Five-layer
Material	Non-woven fabric, melt-blown fabric	Function	Anti-fog Anti-dust Anti-spray
Storage	Cool Ventilation Dry	Package	Individual package

PACKAGE SIZE:

PACKAGING 1:

Packaging 1:
Qty/Bag: 5pcs
Bag Size: 16X22CM
Bags/Ctn: 90 bags



PACKAGING 2:

Packaging 2:
Qty/Bag: 10pcs
Bag Size: 18X28CM
Bags/Ctn: 60 bags



PACKAGING 4:

Packaging 3:
Qty/Box: 25pcs
Box Size: 12.5*12*19CM
Boxes/Ctn: 16 Boxes



MEDICAL DEVICE PRODUCTION LICENSE

Medical device production license
医疗器械生产许可证

License no.: Bureau of Fujian medical device supervision #20200618
许可证编号：闽药监械生产许20200618号

企业名称：福建顺邦防护科技有限公司
Company name: Fujian safetech protection co.,ltd

生产地址：福州市闽侯县荆溪镇铁岭工业园一期九号东栋6号1号楼1层、2号楼9号楼1层
Address: Tieling Industrial zone, Zone 1,Block 9Jingxi town, Minhou county, Fuzhou, Fujian province P.R. China

法定代表人：刘玉林
Legal representative: Liu Yulin

生产范围：二类I-IV医护人员防护用品***
Production scope: class II 14-14 protective equipment for medical staff

企业负责人：刘玉林
Business owner: Liu Yulin

License issuing department: Drug administration of Fujian

住所：闽侯县铁岭工业集中区
Address: Tieling industrial concentration area, Minhou county

发证部门：福建省药品监督管理局
Date of Issue: 2020-JUNE-04

有效期至：至 2025 年 06 月 03 日
Valid to :2025-JUNE-03



国家药品监督管理局制
State food and drug administration

RECORDAL REGISTER BOOK OF INTERNATIONAL TRADER

对外贸易经营者备案登记表

统一社会信用代码: 91350121793752241N

备案登记表编号: 03493846

进出口企业代码: _____

经营者中文名称	福建顺邦防护科技有限公司		
经营者英文名称	FUJIAN SAFETECH PROTECTION CO.,LTD.		
组织机构代码	_____	经营者类型 (由备案登记机关填写)	有限责任公司
住 所	闽侯县铁岭工业集中区		
经营场所 (中文)	闽侯县铁岭工业集中区		
经营场所 (英文)	Tieling Industrial Concentration Area, Minhou County		
联系电话	13799990797	联系传真	_____
邮政编码	350101	电子邮箱	linlinganny@163.com
工商登记注册日期	2006-10-8	工商登记注册号	_____

依法办理工商登记的企业还须填写以下内容

企业法定代表人姓名	刘玉林	有效证件号	350102196309100516
注册资金	陆仟陆佰肆拾万元		(折美元)

依法办理工商登记的外国 (地区) 企业或个体工商户 (独资经营者) 还须填写以下内容

企业法定代表人 / 个体工商户负责人姓名		有效证件号	
企业资产 / 个人财产			(折美元)

备注	已完成原产地申请人备案, 请到检验检疫机构/贸促会办理原产地证
----	---------------------------------

填表前请认真阅读背面的条款, 并由企业法定代表人或个体工商户负责人签字, 盖章。



2020

04 年 月 日

NAME LIST OF NON-MEDICAL USE FACE MASKS COMPANIES WITH CERTIFICATION/AUTHORIZATION FROM OTHER COUNTRIES



中国医药保健品进出口商会
服务产业链 | 助力国际化

English

[首页](#)
[关于商会](#)
[新闻中心](#)
[行业服务](#)
[权威发布](#)
[商委会刊](#)
[企业风采](#)
[会员之家](#)
[加入商会](#)

新闻中心 > 通知公告

动态更新：取得国外标准认证或注册的非医用口罩生产企业清单

2020年10月17日 中国医药保健品进出口商会

推荐阅读

序号	生产企业	统一社会信用代码	国外注册认证情况
882	福建顺邦防护科技有限公司 Fujian Safetech Protection Co.,Ltd	91350121793752244N	欧盟CE
883	深圳市维珍妮医疗科技有限公司 Shenzhen Regina Miracle Medical Technology Co., Ltd.	91440300MA5G811Y9B	欧盟CE
884	深圳市大生圆医疗器械有限公司 Shenzhen Da Sheng Yuan Medical Equipments Company Limited	91440300MA5G45J4X1	欧盟CE
885	易纬(广东)医疗生物科技有限公司 Everlasting(Guangdong) Medical&Biological Technology Co.,Ltd.	91441802MA54CK9WGT	欧盟CE
886	惠州市中德医疗科技有限公司	91441302MA4UH-HPTZT	欧盟CE

动态更新：取得国外标准认证或注册的非医用口罩生产企业清单...
 医药商会荣获商务部抗击新冠肺炎疫情工作特别贡献奖
 关于邀请参加2020防疫物资精品展暨医疗器械国际洽...
 国内具备欧盟 (EN149/14683) 检测能力的检测机构...
 克旗赛场今取双胜利 | “战神” 担当当 专业助抗疫 谱...
 ...
 有关表述
 社口“抗击疫情经验国际...
 一行赴防疫物资生产企业北...
 海外商医审核交流视频会议
 商协会组织负责人接受央视...

2020年10月17日 中国医药保健品进出口商会

取得国外标准认证或注册的非医用口罩生产企业清单

动态更新：2020年10月16日下载

序号	生产企业	统一社会信用代码	国外注册认证情况
882	福建顺邦防护科技有限公司 Fujian Safetech Protection Co.,Ltd	91350121793752244N	欧盟CE
883	深圳市维珍妮医疗科技有限公司 Shenzhen Regina Miracle Medical Technology Co., Ltd.	91440300MA5G811Y9B	欧盟CE
884	深圳市大生圆医疗器械有限公司 Shenzhen Da Sheng Yuan Medical Equipments Company	91440300MA5G45J4X1	欧盟CE



FOOD AND DRUG ADMINISTRATION

Classification Name:FACE MASK (EXCEPT N95 RESPIRATOR) FOR GENERAL PUBLIC/HEALTHCARE PERSONNEL PER IIE GUIDANCE

Registered Establishment Name:FUJIAN SAFETECH PROTECTION CO., LTD

Registered Establishment Number: **3016666730**

Owner/Operator:Fujian Safetech Protection Co Ltd

Owner/Operator Number: **10063359**

Establishment Operations:Manufacturer



U.S. Department of Health & Human Services

Follow FDA | En Español

U.S. FOOD & DRUG ADMINISTRATION

Home | Food | Drugs | Medical Devices | Radiation-Emitting Products | Vaccines, Blood & Biologics | Animal & Veterinary | Cosmetics | Tobacco Products

Establishment Registration & Device Listing

1 result found for Owner Operator Number : 10063359

Establishment Name	Registration Number	Current Registration Yr
FUJIAN SAFETECH PROTECTION CO., LTD CHINA	3016666730	2020
<ul style="list-style-type: none"> Suit, Surgical Face Mask (Except N95 Respirator) For General Public/Healthcare Personnel Per Iie Guidance Non-Surgical Isolation Gown Respirator, Surgical - KN95 		Manufacturer

Can't find what you're looking for? [Try a new search](#)

Page Last Updated: 05/04/2020
 Note: If you need help accessing information in different file formats, see Instructions for Downloading View

Classification Name:	FACE MASK (EXCEPT N95 RESPIRATOR) FOR GENERAL PUBLIC/HEALTHCARE PERSONNEL PER IIE GUIDANCE
Product Code:	QKR
Device Class:	Not Classified
Registered Establishment Name:	FUJIAN SAFETECH PROTECTION CO., LTD
Registered Establishment Number:	3016666730
Owner/Operator:	Fujian Safetech Protection Co Ltd
Owner/Operator Number:	10063359
Establishment Operations:	Manufacturer

MODULE B, EU TYPE-EXAMINATION



EN 149:2001+A1:2009 FFP2NR



MODULE D



This document is issued by the Company subject to its General Conditions of Certification Services accessible at www.sgs.com/terms_and_conditions.htm. Attention is drawn to the limitations of liability, indemnification and jurisdictional issues established therein. The authenticity of this document may be verified at http://www.sgs.com/service/clients_and_producers/field-clients-directory. Any unauthorized alteration, forgery or falsification of the content or appearance of this document is unlawful and offenders may be prosecuted to the fullest extent of the law.

SP2021C STAPLE EAR BAND-PROTECTIVE FACE MASK WITH BREATHING VALVE-EN149 TEST REPORT

Test Report: SL5203286471401TX Date: September 04, 2020 Page 1 of 9

FLUJIAN SAFETECH PROTECTION CO., LTD.
NO. 6 ROAD EAST, TIEJIANG INDUSTRIAL ZONE (1), JINXIANG TOWN, MINHOU COUNTY, FUZHOU 350101, FUJIAN (CHINA) TOWN, MINHOU COUNTY, FUZHOU 350101, FUJIAN

The following sample(s) were submitted and identified on behalf of the client as:
Sample Description: (A) Protective Face Mask (NON-Medical)

Sample Color: (A) WHITE
Composition: (A) Non-woven fabric-cotton
Style No.: SP021C
Manufacturer: FLUJIAN SAFETECH

Test Performed: Selected test(s) as requested by applicant

Sample Receiving Date: Aug 24, 2020
Testing Period: Aug 26, 2020 - Sep 04, 2020
Test Result(s): Unless otherwise stated the results shown in this test report refer only to the sample(s) tested; for further details, please refer to the following page(s)

Signed for and on behalf of:
SGS-CSTC Standards Technical Services (Shanghai) Co., Ltd. Testing Center

Sara Guo
Sara Guo (Account Executive)

Test Report: SL5203286471401TX Date: September 04, 2020 Page 2 of 9

Test Result:
Personal Protective Equipment - Respiratory Protective Devices - Filtering Half Masks to Protect against
Particulate Environmental Contaminants, Aerosols, Gases and Vapors

Class 2.4 Packaging
(EN 149:2001+A1:2009, Clause 8.2)

Test Requirement	Results	Comment
Particle filtering half mask shall be designed for safe packaging in such a way that they are protected against mechanical damage and contamination.	Not Comply	Fail

Class 2.5 Materials
(EN 149:2001+A1:2009, Clause 8.2.6.3.1 & 8.2.2)

Test Requirement	Results	Comment
Materials used shall be suitable to withstand handling and wear over the period to which the particle filtering half mask is designed to be used.	Comply	Pass
When changing the components specified in 8.2.6.3.1, the particle filtering half mask shall have sufficient mechanical failure of the fibrous or string.	Comply	
When constructed as automatic with 8.2.1 and 8.2.2 the particle filtering half mask shall not collapse.	Comply	

Any material from the filter media released by the air flow through the filter shall not constitute a hazard or nuisance for the wearer.

Test Report: SL5203286471401TX Date: September 04, 2020 Page 3 of 9

Class 2.8 Fit and Seal
(EN 149:2001+A1:2009, Clause 8.2)

Test Requirement	Results	Comment
Parts of the device likely to come into contact with the wearer shall have no sharp edges or burrs.	No sharp edges or burrs	Pass

Class 2.9.1 Total Inward Leakage
(EN 149:2001+A1:2009, Clause 8.2)

Test Requirement	Results	Comment
The total inward leakage consists of three components, face and leakage exclusion value (calculated) and exhalation valve (if applicable). For particle filtering half masks fitted in accordance with the manufacturer's information, at least 40 out of 50 individual test results (i.e. 80 subjects x 5 exercises) for total inward leakage shall be not greater than 20% for FFP1, 15% for FFP2, 5% for FFP3.	Detail refer to Appendix 1	Meet FFP1, Meet FFP2

Appendix 1: Summarization of Test Data
Inward Leakage Test Data

Subject	Exercise	Face Seal (%)	Head Exclusion (%)	Mean (Subject/%)	Min (%)	Max (%)
Subj1	1	4.5	6.19	5.85	4.51	6.00
Subj2	2	4.5	7.95	7.37	7.15	7.58
Subj3	3	4.5	6.15	5.85	5.11	6.24
Subj4	4	4.5	5.40	5.83	4.30	6.34
Subj5	5	4.5	6.01	7.81	7.20	7.95
Subj6	6	4.5	5.22	4.74	3.99	6.37
Subj7	7	4.5	5.98	6.05	5.10	6.75
Subj8	8	4.5	4.83	4.52	4.07	4.75
Subj9	9	4.5	6.15	7.80	7.10	8.50
Subj10	10	4.5	6.07	7.23	6.02	8.72

Facial Dimension Data

Subject	Face Width	Face Depth	Face Length	Snout Width
Subj1	135	107	107	48
Subj2	132	105	105	47
Subj3	135	107	107	48
Subj4	132	105	105	47
Subj5	135	107	107	48
Subj6	132	105	105	47
Subj7	135	107	107	48
Subj8	132	105	105	47
Subj9	135	107	107	48
Subj10	132	105	105	47

Test Report: SL5203286471401TX Date: September 04, 2020 Page 4 of 9

Class 2.9.2 Air Containment with Test
(EN 149:2001+A1:2009, Clause 8.2)

Test Requirement	Results	Comment
Materials that may come into contact with the wearer's skin shall not be known to be likely to cause irritation or any other adverse effect to health.	No irritation or any other adverse effect to health	Pass

Class 2.9.3 Air Containment of the Inhalation Aid
(EN 149:2001+A1:2009, Clause 8.3)

Test Requirement	Results	Comment
The carbon dioxide content of the inhalation air (dead space) shall not exceed an average of 1.0% (by volume).	Detail refer to Appendix 2	Pass

Appendix 2: Summarization of Test Data
Carbon Dioxide Content of the Inhalation Aid

Condition	Sample No.	Result (%)	Mean value 0.47
As received	1	0.4755	
	2	0.4748	
	3	0.4683	

Test Report: SL5203286471401TX Date: September 04, 2020 Page 5 of 9

Class 2.13 Head Clearance
(EN 149:2001+A1:2009, Clause 8.4.6.5.5)

Test Requirement	Results	Comment
The head harness shall be designed so that the particle filtering half mask can be donned and removed easily.	Comply	Pass
The head harness shall be adjustable or adjustable and shall be sufficiently robust to hold the particle filtering half mask firmly in position and be capable of maintaining and ensuring leakage requirements for the device.	Comply	Pass

Class 2.14 Field of Vision
(EN 149:2001+A1:2009, Clause 8.4)

Test Requirement	Results	Comment
The field of vision is acceptable if determined to be practical performance.	Comply	Pass

Class 2.15 Exhalation Valves
(EN 149:2001+A1:2009, Clause 8.2.6.3.1 & 8.2.6.3.4 & 8.2.6.3.5)

Test Requirement	Results	Comment
For a particulate filtering half mask that has one or more exhalation valves, the valve shall fulfill the requirements of all conditions.	Comply	Pass
For an exhalation valve equipped with an exhalation assist, the valve shall be resistant to dirt and mechanical damage and may be removed or may include any other device that may be necessary for the particle filtering half mask to comply with 7.8.	Comply	
For an exhalation valve, it shall seal completely to operate correctly after a continuous exhalation flow of 100 l/min over a period of 30 s.	Comply	

EN 149:2001+A1:2009, 7.8.2.1: When the exhalation valve is subjected to the force, a seal withstand axially a tensile force of 10N applied for 10 s.

Test Report: SL5203286471401TX Date: September 04, 2020 Page 6 of 9

Class 2.16 Breathing Resistance
(EN 149:2001+A1:2009, Clause 8.5)

Test Requirement	Results	Comment
The penetration of the filter of the particle filtering half mask shall meet the requirements of the following table.	Detail refer to Appendix 3	Meet FFP1, Meet FFP2, Meet FFP3

Appendix 3: Summarization of Test Data
Breathing resistance (initial)

Flow rate (l/min)	A	B	C	D	E	F	G	H	I	J	K	L	M	N	O	P	Q	R	S	T	U	V	W	X	Y	Z	
As received	Isolation	100	104	103	104	103	104	103	104	103	104	103	104	103	104	103	104	103	104	103	104	103	104	103	104	103	104
	Inhalation	100	104	103	104	103	104	103	104	103	104	103	104	103	104	103	104	103	104	103	104	103	104	103	104	103	104
	Exhalation	100	104	103	104	103	104	103	104	103	104	103	104	103	104	103	104	103	104	103	104	103	104	103	104	103	104
Simulated wearing condition	Isolation	100	112	111	112	111	112	111	112	111	112	111	112	111	112	111	112	111	112	111	112	111	112	111	112	111	112
	Inhalation	100	112	111	112	111	112	111	112	111	112	111	112	111	112	111	112	111	112	111	112	111	112	111	112	111	112
	Exhalation	100	112	111	112	111	112	111	112	111	112	111	112	111	112	111	112	111	112	111	112	111	112	111	112	111	112
Temperature conditioned	Isolation	100	103	103	103	103	103	103	103	103	103	103	103	103	103	103	103	103	103	103	103	103	103	103	103	103	103
	Inhalation	100	111	110	111	110	111	110	111	110	111	110	111	110	111	110	111	110	111	110	111	110	111	110	111	110	111
	Exhalation	100	103	103	103	103	103	103	103	103	103	103	103	103	103	103	103	103	103	103	103	103	103	103	103	103	103
Flow conditioned	Isolation	100	111	111	111	111	111	111	111	111	111	111	111	111	111	111	111	111	111	111	111	111	111	111	111	111	111
	Inhalation	100	111	111	111	111	111	111	111	111	111	111	111	111	111	111	111	111	111	111	111	111	111	111	111	111	111
	Exhalation	100	111	111	111	111	111	111	111	111	111	111	111	111	111	111	111	111	111	111	111	111	111	111	111	111	111

A: Facing directly ahead; B: Facing vertically upwards; C: Facing vertically downwards; D: Lying on the left side; E: Lying on the right side.

Test Report: SL5203286471401TX Date: September 04, 2020 Page 7 of 9

Class 2.17 Cleanability
(EN 149:2001+A1:2009, Clause 8.9.8.10)

Test Requirement	Results	Comment
After cleaning the filtration resistance shall not exceed: FFP1: 4 mbar, FFP2: 5 mbar, FFP3: 3 mbar at 50 l/min continuous flow. The filtration resistance shall not exceed 3 mbar at 110 l/min continuous flow.	Optional for single use device only	N.A.

Class 2.18 Demountable Parts
(EN 149:2001+A1:2009, Clause 8.2)

Test Requirement	Results	Comment
All demountable parts (if fitted) shall be readily connected and secured, where possible by hand.	No demountable parts	N.A.

Test Report: SL5203286471401TX Date: September 04, 2020 Page 8 of 9

Sample Photo

Test Report: SL5203286471401TX Date: September 04, 2020 Page 9 of 9

End of Report

TEST REPORT-GB2626-2006

SGS MA 17060342938 CNAS TESTING CNAS 1599

检测报告 编号 日期 第 1 页共 6 页
 Test Report No. SL520252571281TX Date: 2020-7-10 Page 1 of 6

下列样品由客户提供并确认: The following sample(s) was/were submitted and identified on behalf of the client:

客户信息 Client Information	委托单位: Consignor	福建斯耐防护科技有限公司 FUJIAN SAFETECH PROTECTION CO., LTD
	委托单位地址: Consignor address	福建省福州市闽侯县青圃镇钢铁工业园一期九号路 6 号 NO.6 ROAD EAST, TIEJING INDUSTRIAL ZONE (1), JINGXI TOWN, MINHOU COUNTY, FUZHOU 350101, FUJIAN
样品信息 Sample Information	样品描述: Sample Description	KN95 防护口罩(非医用), 无纺布, 熔喷布, 颜色为白色。 KN95 protective face mask (non-medical), non-woven/melt-blown in white.
	样品名称: style No.	SF2020
	生产厂家: Manufacturer	福建斯耐防护科技有限公司 FUJIAN SAFETECH PROTECTION CO., LTD
	样品数量: Sample Quantity	1 包 One package
	包装形式: Submitted (sample sent by client)	密封塑料袋 Test Type
检验信息 Test Information	样品送检日期: Sample Received Date	2020-05-13 检测周期: Test Period
	2020-05-13	2020-05-13-2020-07-10
	检验依据: Document Accordance	详见检测报告 See test result page
	判定依据: Judgement Accordance	客户要求: GB 2626-2006 呼吸防护用品 过滤式过滤颗粒物呼吸器 requirement: GB 2626-2006 Respiratory protective equipment- Non-powered or purifying particle respirator
检验结论: Test Conclusion	本报告仅就提交的数据和样品判定, 不涉及检测方法。总页。 The report only give the test result and individual judgment, detail please see follow page.	

通标标准技术服务(上海)有限公司
SGS-CSTC Standards Technical Services (Shanghai) Co., Ltd
批准人签署 Approved by:

徐小英 Ellen Cui
(授权签字人 Authorized Signatory)
测试数据仅供参考
This test report refer only to the samples tested

SGS

检测报告 编号 日期 第 2 页共 6 页
 Test Report No. SL520252571281TX Date: 2020-7-10 Page 2 of 6

检测结果及判定

序号 No.	检验项目及测试方法 Test Item & Test Methods	单位 Unit	技术要求 Requirement	检测结果 Test Result	单项判定 Individual Judgment
1.	外观检查 Appearance (GB 2626-2006 6.1)	-	样品表面不得有裂纹、变形等影响使用的其他缺陷; 部件材料和结构应能耐受正常使用条件下可能遇到的冲击、碰撞和机械冲击, 无变形; 可更换式卡扣前端的卡扣设计应为可更换; 卡扣前端的卡扣在佩戴时不应出现松动等影响使用的情况; 经温度湿度预处理和相对湿度预处理后, 零件不应变形、损坏和变色。 The sample surface shall be no damage, deformation and other other defects. The materials and structure of the sample shall be able to withstand normal use conditions and possible temperature, humidity. The mask band should be adjustable. After temperature, humidity pretreatment, the sample surface shall be no damage, deformation and other other defects.	符合客户要求 Meet requirement	符合 Pass

SGS

检测报告 编号 日期 第 3 页共 6 页
 Test Report No. SL520252571281TX Date: 2020-7-10 Page 3 of 6

序号 No.	检验项目及测试方法 Test Item & Test Methods	单位 Unit	技术要求 Requirement	检测结果 Test Result	单项判定 Individual Judgment
2.	头带 Mask band (GB 2626-2006 6.11)	-	固定式面罩: 10N 持续 10s, 不应出现滑脱或断裂。 For disposable face mask: Apply a tensile force of 10 N for 10 s, no slip-out, breakage occurs during the test.	未预处理 Original 后处理 After pretreatment	符合 Pass
3.	可燃性 Burning behavior (GB 2626-2006 6.15)	-	暴露于火焰的各部件由火焰移除后, 不应继续燃烧, 如要燃烧, 燃烧时间不得超过 5s。 Where tested, the mask shall not burn or not to continue to burn for more than 5s after removal from the flame.	未预处理 Original 后处理 After pretreatment	符合 Pass

SGS

检测报告 编号 日期 第 4 页共 6 页
 Test Report No. SL520252571281TX Date: 2020-7-10 Page 4 of 6

序号 No.	检验项目及测试方法 Test Item & Test Methods	单位 Unit	技术要求 Requirement	检测结果 Test Result	单项判定 Individual Judgment
4.	吸气阻力 Inhalation resistance (GB 2626-2006 6.3)	Pa	≤350	未预处理 Original 177 预处理 156 符合	符合 Pass
5.	呼气阻力 Exhalation resistance (GB 2626-2006 6.4)	Pa	≤250	未预处理 Original 143 预处理 151 符合	符合 Pass
6.	过滤效率 Filtration Efficiency (GB 2626-2006 6.5)	%	≥95.0	未预处理 Original 97.216 97.216 98.544 97.829 97.633 98.559 98.157 97.500 预处理 After pretreatment 98.253 98.310 98.502 98.476	符合 Pass
7.	视野 Field of vision (GB 2626-2006 6.9)	%	≥1	0.7	符合 Pass
8.	视野 Field of vision (GB 2626-2006 6.10)	-	下方视野 ≥60° Lower field of vision ≥60°	61°	符合 Pass

备注: 本检测报告仅就客户提供数据认定符合能力范围内, 测试及标准检测认证服务有限公司执行, 其 CMA 资质认定证书编号为 20021534010, 检测项目不在检测认证范围内的 CNAS 资质认定符合能力范围内。
Remarks: "The test is not approved in SGS SH by China Inspection Body and Laboratory Mandatory Approval. It was carried out by Tianfangshan standardization certification & testing co., ltd and it's CMA qualification authentication license Numbers is 20021534010, the test item is not approved in the CNAS qualification authentication license."

SGS

检测报告 编号 日期 第 5 页共 6 页
 Test Report No. SL520252571281TX Date: 2020-7-10 Page 5 of 6

序号 No.	检验项目及测试方法 Test Item & Test Methods	单位 Unit	技术要求 Requirement	检测结果 Test Result	单项判定 Individual Judgment
9.	漏气 Leak (GB 2626-2006 6.4)	-	50 个动作中至少 45 个动作的 TL ≤11%, 10 个动作中至少 8 人的 TL ≤8% TL of at least 45 of 50 actions is ≤11%. TL of at least 8 out of 10 subjects ≤8%	未预处理 Original 未预处理 After pretreatment	符合 Pass

SGS

检测报告 编号 日期 第 6 页共 6 页
 Test Report No. SL520252571281TX Date: 2020-7-10 Page 6 of 6



此符合声明仅基于本次实验室活动的实际情况, 本报告仅就实验室活动的结果不确定性影响予以考虑。
The statement of conformity in this test report is only based on measured values by the laboratory and does not take their uncertainties into consideration.

报告结束
"End of Report"

TEST REPORT-GB2626-2019

SGS 检测方 客户 日期 页 1 共 1

Test Report No. N16200004674 Date: 2020.7.4 Page 1 of 1

检测项目: 呼吸防护用品 呼吸器用过滤元件的测试

客户名称: 普瑞斯防护用品(上海)有限公司
 客户地址: 上海市浦东新区川沙新镇川沙路1111号普瑞斯防护用品(上海)有限公司
 检测标准: GB 2626-2019
 检测项目: 呼吸器用过滤元件的测试

检测日期: 2020.7.4
 检测地点: 普瑞斯防护用品(上海)有限公司
 检测人员: 王明

检测结果: 合格

SGS 检测方 客户 日期 页 2 共 1

Test Report No. N16200004674 Date: 2020.7.4 Page 2 of 1

序号	检测项目	检测方法	标准要求	检测结果	判定
1	颗粒物过滤效率	GB 2626-2019	≥99%	99.9%	合格
2	颗粒物穿透率	GB 2626-2019	≤1%	0.1%	合格
3	颗粒物捕集效率	GB 2626-2019	≥99%	99.9%	合格
4	颗粒物捕集效率	GB 2626-2019	≥99%	99.9%	合格
5	颗粒物捕集效率	GB 2626-2019	≥99%	99.9%	合格
6	颗粒物捕集效率	GB 2626-2019	≥99%	99.9%	合格
7	颗粒物捕集效率	GB 2626-2019	≥99%	99.9%	合格
8	颗粒物捕集效率	GB 2626-2019	≥99%	99.9%	合格
9	颗粒物捕集效率	GB 2626-2019	≥99%	99.9%	合格
10	颗粒物捕集效率	GB 2626-2019	≥99%	99.9%	合格

SGS 检测方 客户 日期 页 3 共 1

Test Report No. N16200004674 Date: 2020.7.4 Page 3 of 1

序号	检测项目	检测方法	标准要求	检测结果	判定
11	颗粒物捕集效率	GB 2626-2019	≥99%	99.9%	合格
12	颗粒物捕集效率	GB 2626-2019	≥99%	99.9%	合格
13	颗粒物捕集效率	GB 2626-2019	≥99%	99.9%	合格
14	颗粒物捕集效率	GB 2626-2019	≥99%	99.9%	合格
15	颗粒物捕集效率	GB 2626-2019	≥99%	99.9%	合格
16	颗粒物捕集效率	GB 2626-2019	≥99%	99.9%	合格
17	颗粒物捕集效率	GB 2626-2019	≥99%	99.9%	合格
18	颗粒物捕集效率	GB 2626-2019	≥99%	99.9%	合格
19	颗粒物捕集效率	GB 2626-2019	≥99%	99.9%	合格
20	颗粒物捕集效率	GB 2626-2019	≥99%	99.9%	合格

SGS 检测方 客户 日期 页 4 共 1

Test Report No. N16200004674 Date: 2020.7.4 Page 4 of 1

序号	检测项目	检测方法	标准要求	检测结果	判定
21	颗粒物捕集效率	GB 2626-2019	≥99%	99.9%	合格
22	颗粒物捕集效率	GB 2626-2019	≥99%	99.9%	合格
23	颗粒物捕集效率	GB 2626-2019	≥99%	99.9%	合格
24	颗粒物捕集效率	GB 2626-2019	≥99%	99.9%	合格
25	颗粒物捕集效率	GB 2626-2019	≥99%	99.9%	合格
26	颗粒物捕集效率	GB 2626-2019	≥99%	99.9%	合格
27	颗粒物捕集效率	GB 2626-2019	≥99%	99.9%	合格
28	颗粒物捕集效率	GB 2626-2019	≥99%	99.9%	合格
29	颗粒物捕集效率	GB 2626-2019	≥99%	99.9%	合格
30	颗粒物捕集效率	GB 2626-2019	≥99%	99.9%	合格

SGS 检测方 客户 日期 页 5 共 1

Test Report No. N16200004674 Date: 2020.7.4 Page 5 of 1

序号	检测项目	检测方法	标准要求	检测结果	判定
31	颗粒物捕集效率	GB 2626-2019	≥99%	99.9%	合格
32	颗粒物捕集效率	GB 2626-2019	≥99%	99.9%	合格
33	颗粒物捕集效率	GB 2626-2019	≥99%	99.9%	合格
34	颗粒物捕集效率	GB 2626-2019	≥99%	99.9%	合格
35	颗粒物捕集效率	GB 2626-2019	≥99%	99.9%	合格
36	颗粒物捕集效率	GB 2626-2019	≥99%	99.9%	合格
37	颗粒物捕集效率	GB 2626-2019	≥99%	99.9%	合格
38	颗粒物捕集效率	GB 2626-2019	≥99%	99.9%	合格
39	颗粒物捕集效率	GB 2626-2019	≥99%	99.9%	合格
40	颗粒物捕集效率	GB 2626-2019	≥99%	99.9%	合格

SGS 检测方 客户 日期 页 6 共 1

Test Report No. N16200004674 Date: 2020.7.4 Page 6 of 1

序号	检测项目	检测方法	标准要求	检测结果	判定
41	颗粒物捕集效率	GB 2626-2019	≥99%	99.9%	合格
42	颗粒物捕集效率	GB 2626-2019	≥99%	99.9%	合格
43	颗粒物捕集效率	GB 2626-2019	≥99%	99.9%	合格
44	颗粒物捕集效率	GB 2626-2019	≥99%	99.9%	合格
45	颗粒物捕集效率	GB 2626-2019	≥99%	99.9%	合格
46	颗粒物捕集效率	GB 2626-2019	≥99%	99.9%	合格
47	颗粒物捕集效率	GB 2626-2019	≥99%	99.9%	合格
48	颗粒物捕集效率	GB 2626-2019	≥99%	99.9%	合格
49	颗粒物捕集效率	GB 2626-2019	≥99%	99.9%	合格
50	颗粒物捕集效率	GB 2626-2019	≥99%	99.9%	合格

SGS 检测方 客户 日期 页 7 共 1

Test Report No. N16200004674 Date: 2020.7.4 Page 7 of 1

检测项目: 呼吸防护用品 呼吸器用过滤元件的测试

客户名称: 普瑞斯防护用品(上海)有限公司
 客户地址: 上海市浦东新区川沙新镇川沙路1111号普瑞斯防护用品(上海)有限公司
 检测标准: GB 2626-2019
 检测项目: 呼吸器用过滤元件的测试

检测日期: 2020.7.4
 检测地点: 普瑞斯防护用品(上海)有限公司
 检测人员: 王明

检测结果: 合格

SGS 检测方 客户 日期 页 8 共 1

Test Report No. N16200004674 Date: 2020.7.4 Page 8 of 1

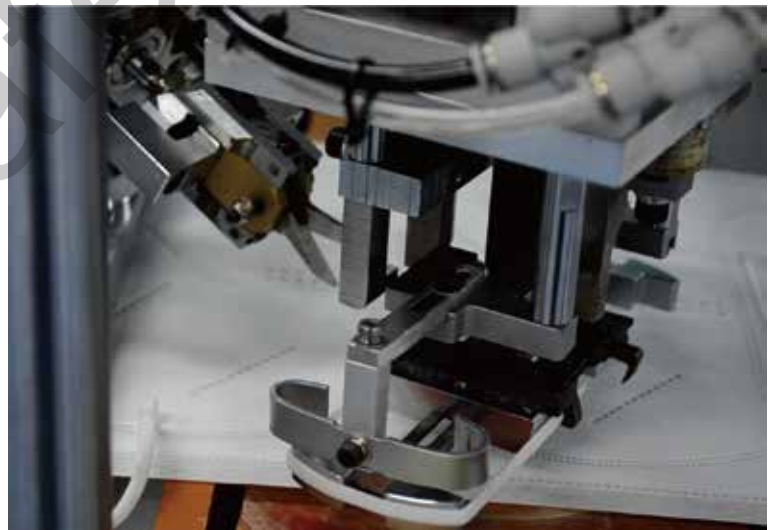
检测项目: 呼吸防护用品 呼吸器用过滤元件的测试

客户名称: 普瑞斯防护用品(上海)有限公司
 客户地址: 上海市浦东新区川沙新镇川沙路1111号普瑞斯防护用品(上海)有限公司
 检测标准: GB 2626-2019
 检测项目: 呼吸器用过滤元件的测试

检测日期: 2020.7.4
 检测地点: 普瑞斯防护用品(上海)有限公司
 检测人员: 王明

检测结果: 合格

DUST- AND GERM-FREE WORKSHOP



TESTING LABORATORY





**SOUNDPOND INTERNATIONAL CO.,LTD
FUJIAN SAFETECH PROTECTION CO.,LTD
GREAT UNION GARMENT MFG.LIMITED**

ADDRESS: NO.6 ROAD EAST,TIELING INDUSTRIAL ZONE,ZONE 1,
BLOCK 9 JINGXI TOWN.MINHOU COUNTY FUZHOU,
FUJIAN PROVINCE,P.R.CHINA

FAX.: +86-591-8782 6099

TEL.: +86-591-8780 7888

WEB: [HTTP://WWW.SPSAFETECH.COM](http://www.spsafetech.com)

E-MAIL: INFOSAFETECH@SPSAFETECH.COM

FUZHOU · CHINA